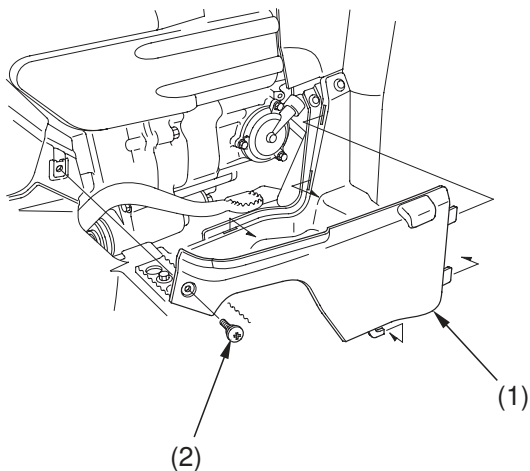


Engine Oil & Filter

Install a New Engine Oil Filter:

1. Remove the right engine sub cover (1) by removing the screw (2).

RIGHT SIDE



(1) right engine sub cover

(2) screw