

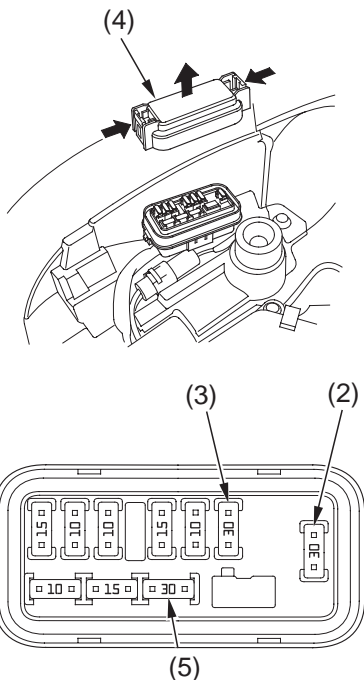
# If a Fuse Blows

---

## Main Fuse Access

1. To prevent an accidental short circuit, turn the ignition switch OFF ( ○ ) before checking or replacing the fuses.
2. Remove the seat (page 140 ).
3. To access the main fuse ( 2 ) ( 3 ), remove the fuse box cover ( 4 ).

## UNDER SEAT



- (2) main fuse 1  
(3) main fuse 2

- (4) fuse box cover  
(5) spare main fuse

4. Pull the main fuse out.  
If it is blown, install the spare main fuse ( 5 ).