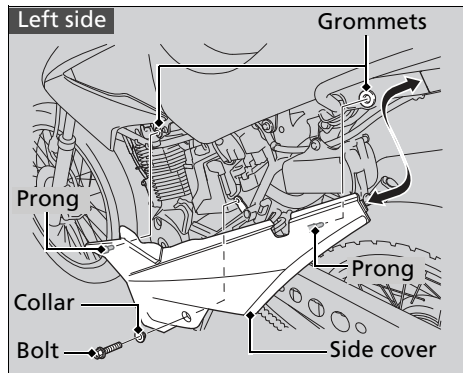


Side Cover

The left side cover must be removed for battery and fuse maintenance.

The right and left side covers must be removed for remove the seat.



The right and left side covers can be removed in the same way.

Removal

1. Remove the bolt and collar.
2. Remove the prongs from the grommets.
3. Remove the side cover.

Installation

Install the parts in the reverse order of removal.