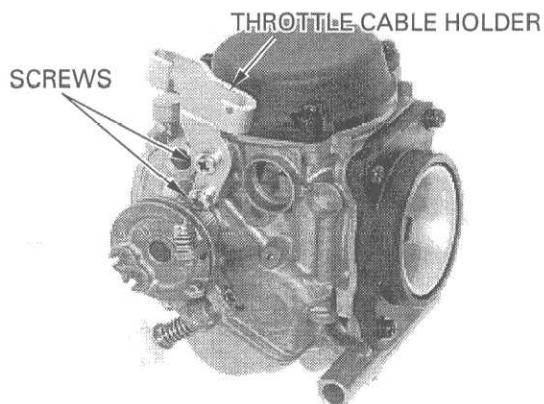


**NOTE:**

Always replace the O-ring with new ones.

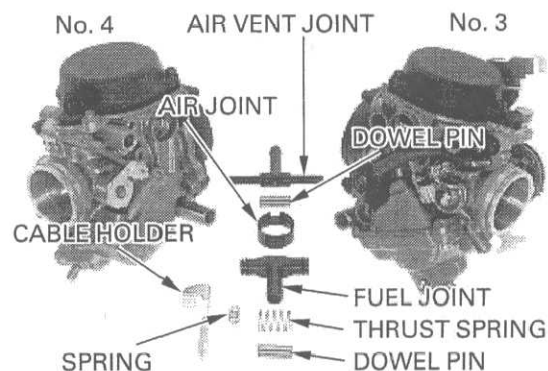
Install the throttle cable holder to the No.3 carburetor and tighten the screws securely.



Install the following:

- Dowel pin (5 mm bolt side)
- Dowel pin (6 mm bolt side)
- 3-way fuel joint pipe/new O-rings
- 3-way air vent joint pipe/new O-rings
- Air joint rubber pipe
- Thrust spring
- No.4 carburetor synchronization spring
- Choke cable holder

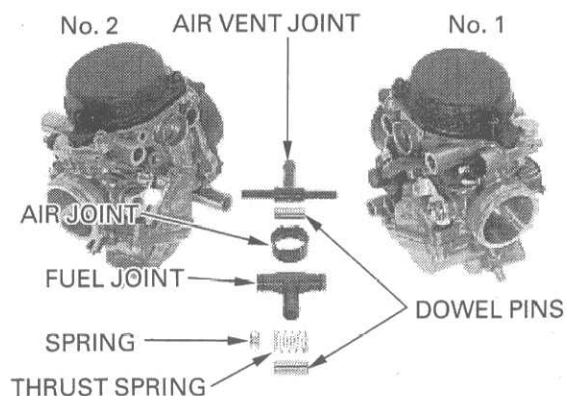
Assemble the No.3 and the No.4 carburetors.



Install the following:

- Dowel pin (5 mm bolt side)
- Dowel pin (6 mm bolt side)
- 3-way fuel joint pipe/new O-rings
- 3-way air vent joint pipe/new O-rings
- Air joint rubber pipe
- Thrust spring
- No.1 carburetor synchronization spring

Assemble the No.1 and the No.2 carburetors.



Install the following:

- Dowel pin (5 mm bolt side)
- Distance collared dowel pin (6 mm bolt side)
- 3-way air joint pipe/O-rings
- No.2 carburetor synchronization spring

Assemble the No.3/4 and the No.1/2 carburetors.

