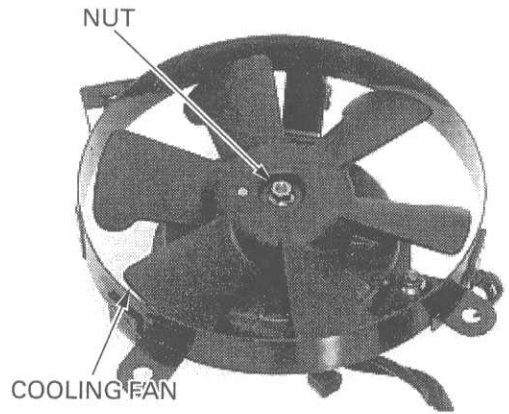
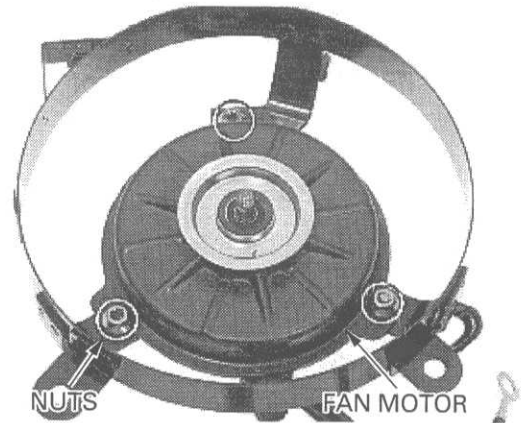


Remove the nut and cooling fan.



Remove the flange nuts and fan motor.

For fan motor switch information, refer to page 19-11.



COOLING FAN ASSEMBLY

