

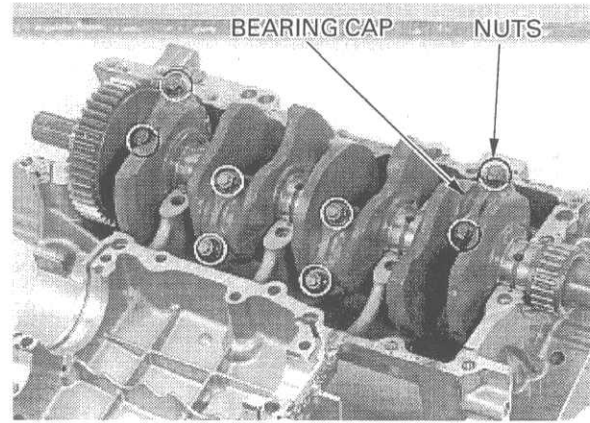
Install the connecting rod bearing caps.

Apply oil to the connecting rod nut threads and seating surfaces.

Install and tighten the nuts gradually and alternately.

TORQUE: 25 N·m (2.6 kgf·m , 19 lbf·ft)

Assemble the upper and lower crankcase (page 11-11).



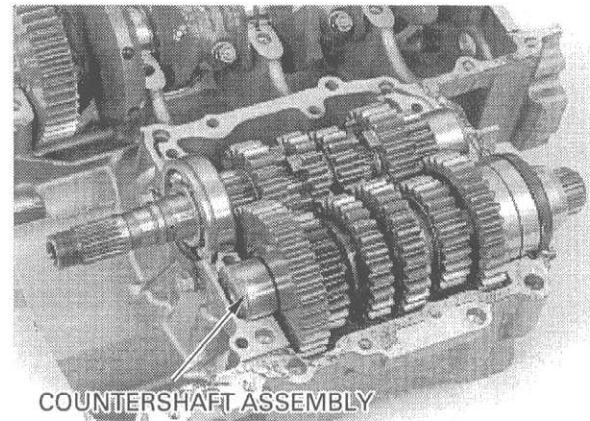
TRANSMISSION

REMOVAL/DISASSEMBLY

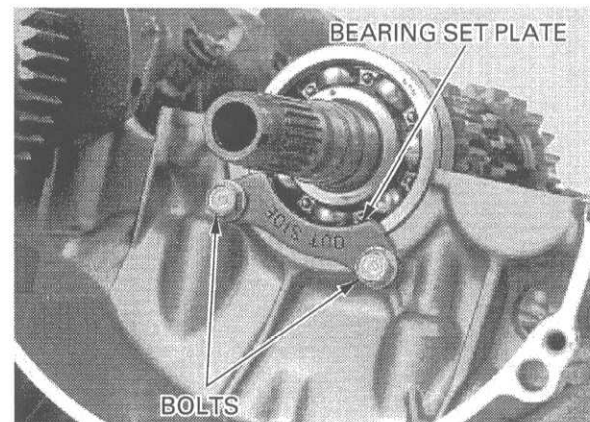
Separate the crankcase (page 11-3).

Remove the countershaft assembly from the upper crankcase.

Remove the bearing set ring and dowel pin.



Remove the bolts and mainshaft bearing set plate.



Remove the mainshaft assembly.

