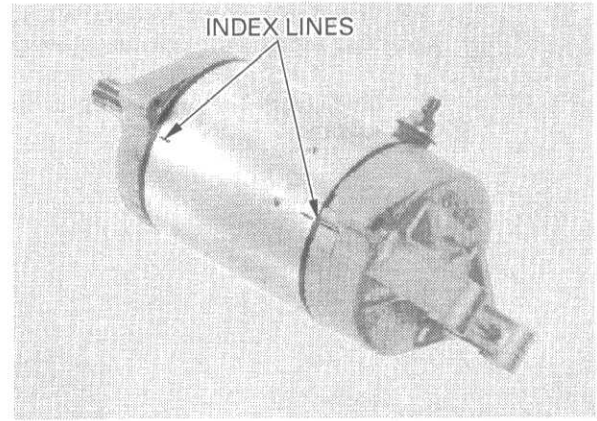
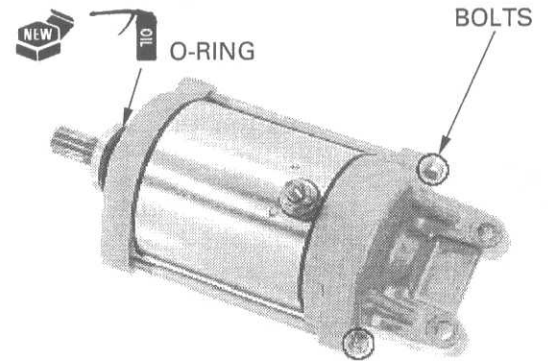


Align the marks between the motor case and cover.

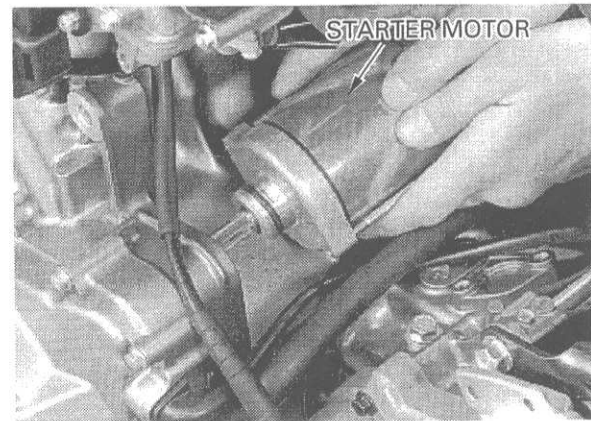


Install and tighten the motor case bolts securely.  
Apply clean engine oil to the new O-ring.  
Install a new O-ring onto the starter motor boss.



## INSTALLATION

Install the starter motor onto the crankcase.  
Route the starter motor cable and ground cable properly.



Install the ground cable and tighten the starter motor mounting bolts.

