

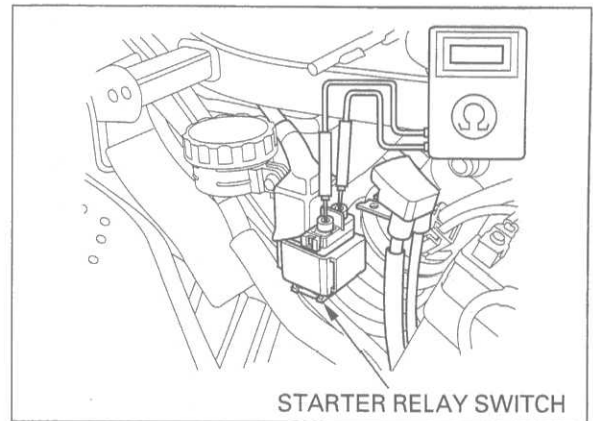
CONTINUITY INSPECTION

Disconnect the starter cables from the starter relay switch.

Connect an ohmmeter to the starter relay switch large terminals.

Check for continuity between the starter relay switch terminals.

There should be continuity while the starter switch button is depressed and should be no continuity when the starter switch button is released.

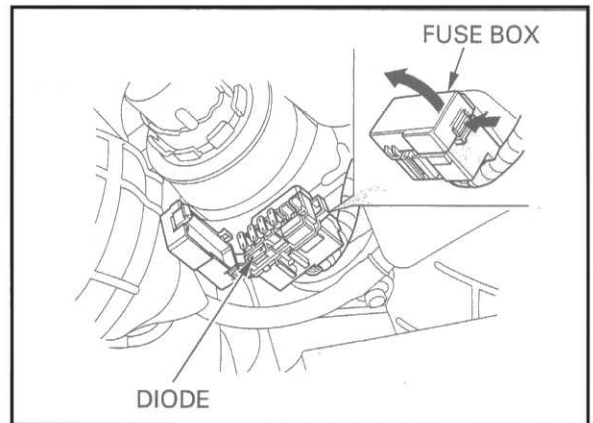


DIODE

REMOVAL

Remove seat (page 2-2).

Open the fuse box and remove the diode.



INSPECTION

Check for continuity with an ohmmeter.

Normal direction: Continuity

Reverse direction: No continuity

INSTALLATION

Install the diode in the reverse order of removal.

