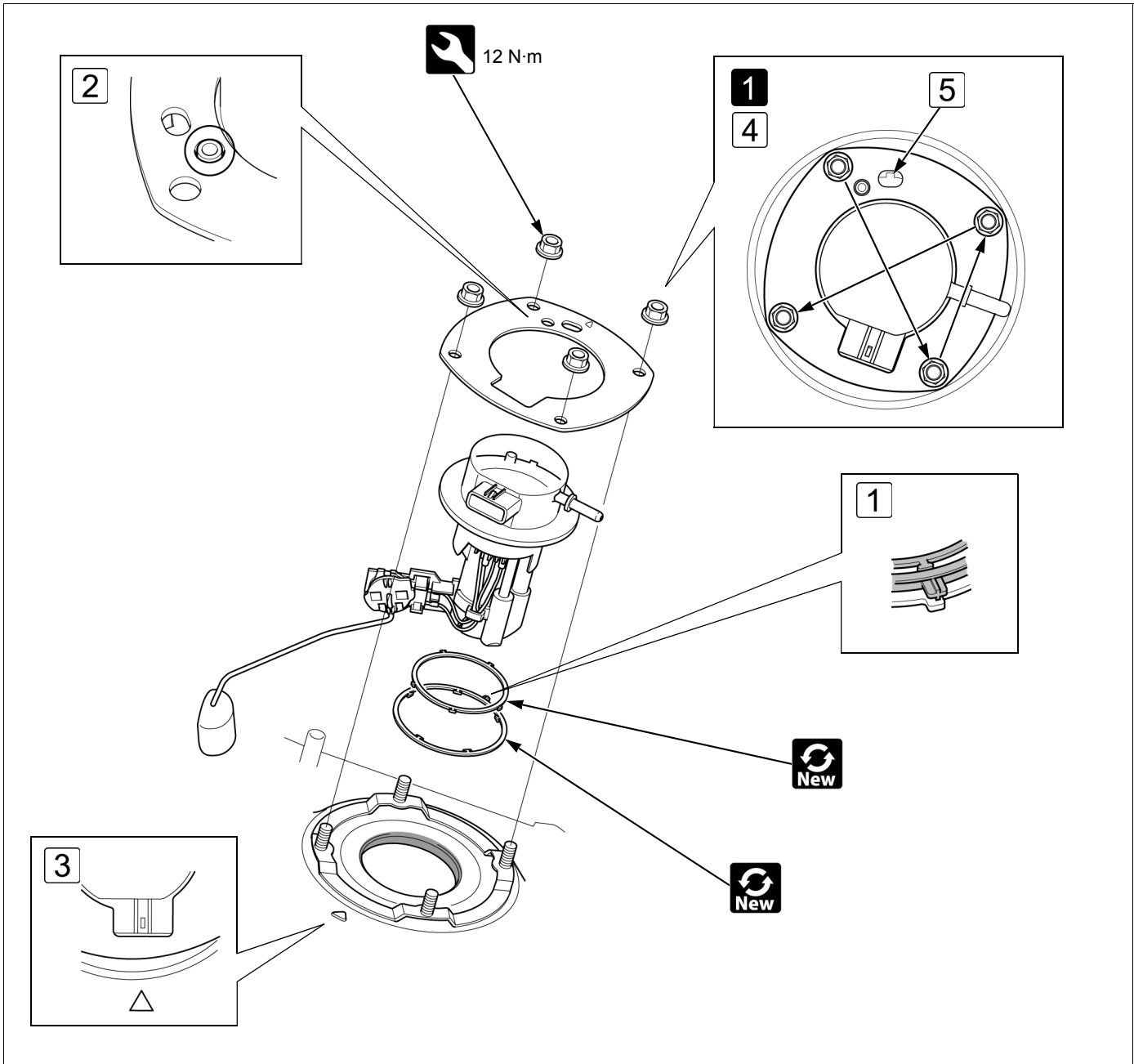




# FUEL PUMP UNIT



- Quick connect fitting (fuel pump side) →2-2
- Fuel tank →2-6
- **1** Loosen the nuts in a crisscross pattern in several steps.
- Carefully remove the fuel pump unit from the fuel tank to prevent damaging the fuel level sensor.
- **1** Install a new outer packing onto the fuel pump unit groove by aligning the tab with the boss.
- **2** Set the setting plate onto the fuel pump by aligning the hole and boss.
- **3** Install the fuel pump into the fuel tank by aligning the fuel pump 5P connector with the triangle mark.
- **4** Tighten the fuel pump setting plate nuts in the specified sequence as shown.
- **5** Make sure that the outer packing tab can see in the setting plate hole.
- Fuel pump malfunction and inspection

