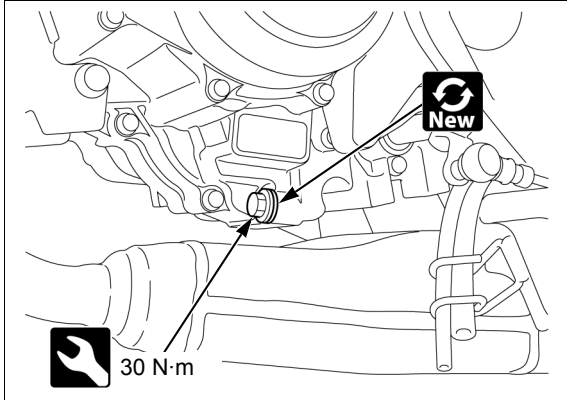




## FUEL & ENGINE

### ENGINE OIL CHANGE



- Drain oil completely.

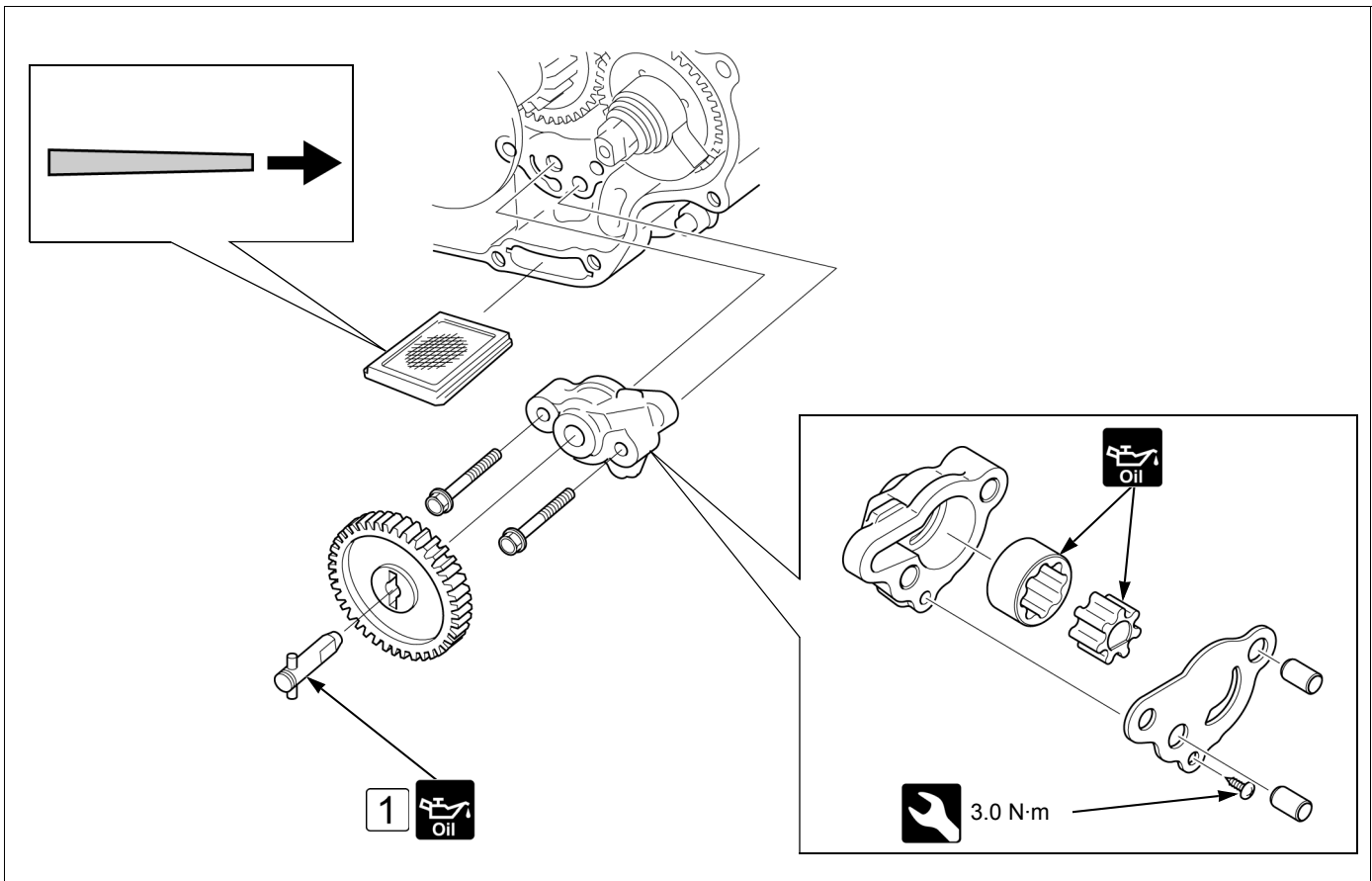


- Fill the crankcase with the recommended engine oil.



- **ENGINE OIL CAPACITY:**  
1.0 liter after draining  
1.2 liter after disassembly

### ENGINE OIL STRAINER SCREEN/OIL PUMP



- Right crankcase cover → 2-22



- 1 Align with the cutouts of the oil pump drive shaft and inner rotor.



- Oil pump inspection

Basic