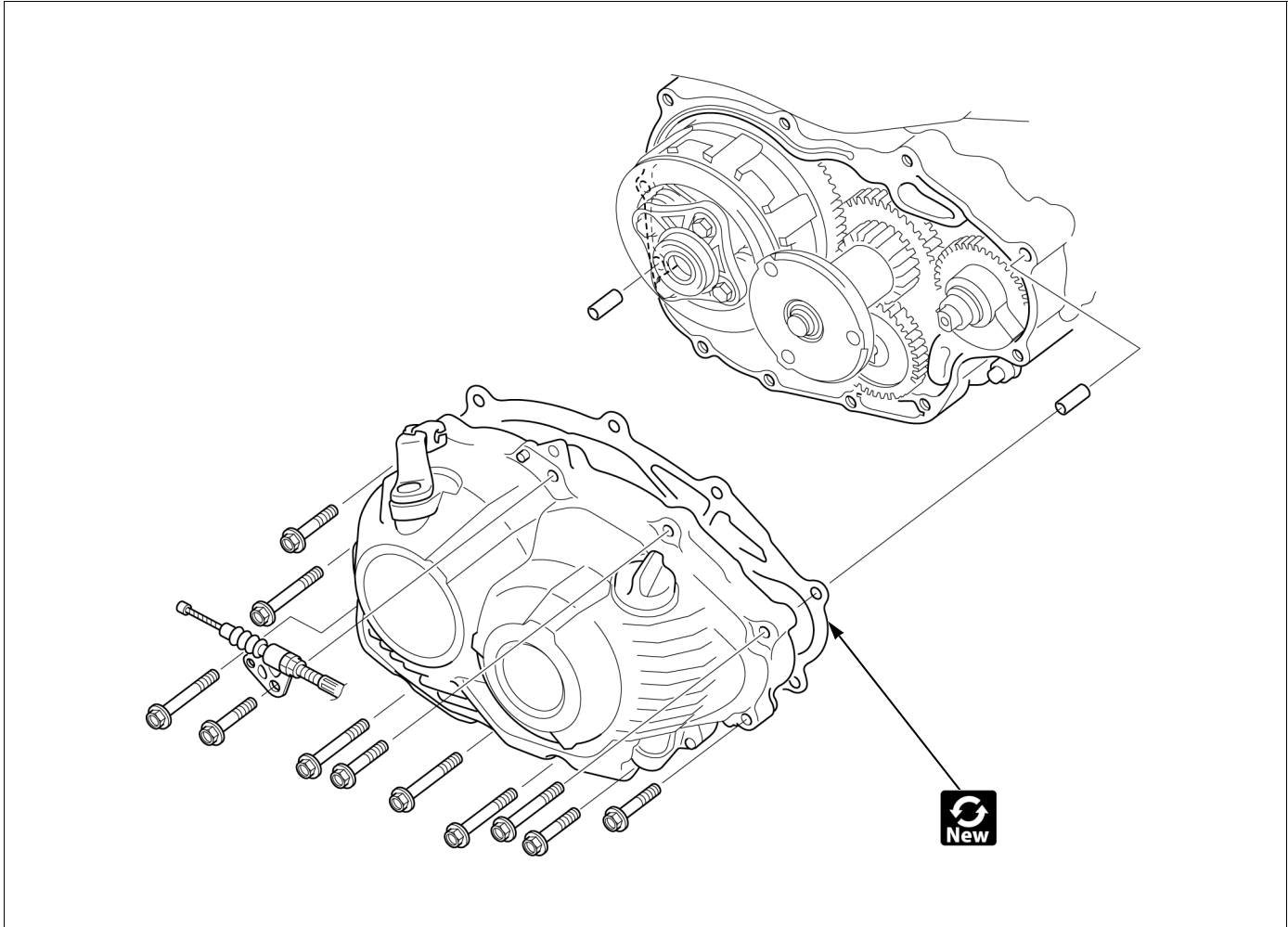




CLUTCH/GEARSHIFT LINKAGE



• Engine oil →2-14

