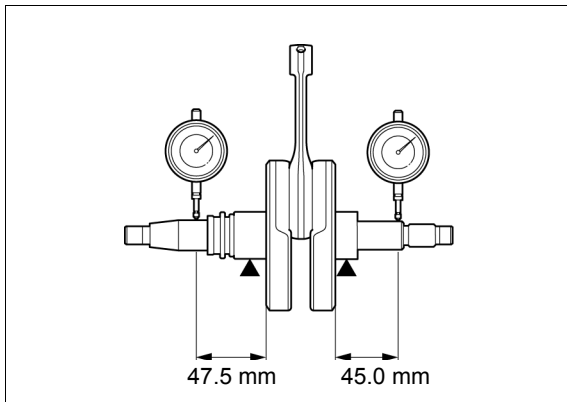


- Balancer inspection

CRANKSHAFT RUNOUT INSPECTION



- Set the crankshaft on V-blocks and measure the runout using a dial indicator.
Limit: 0.03 mm