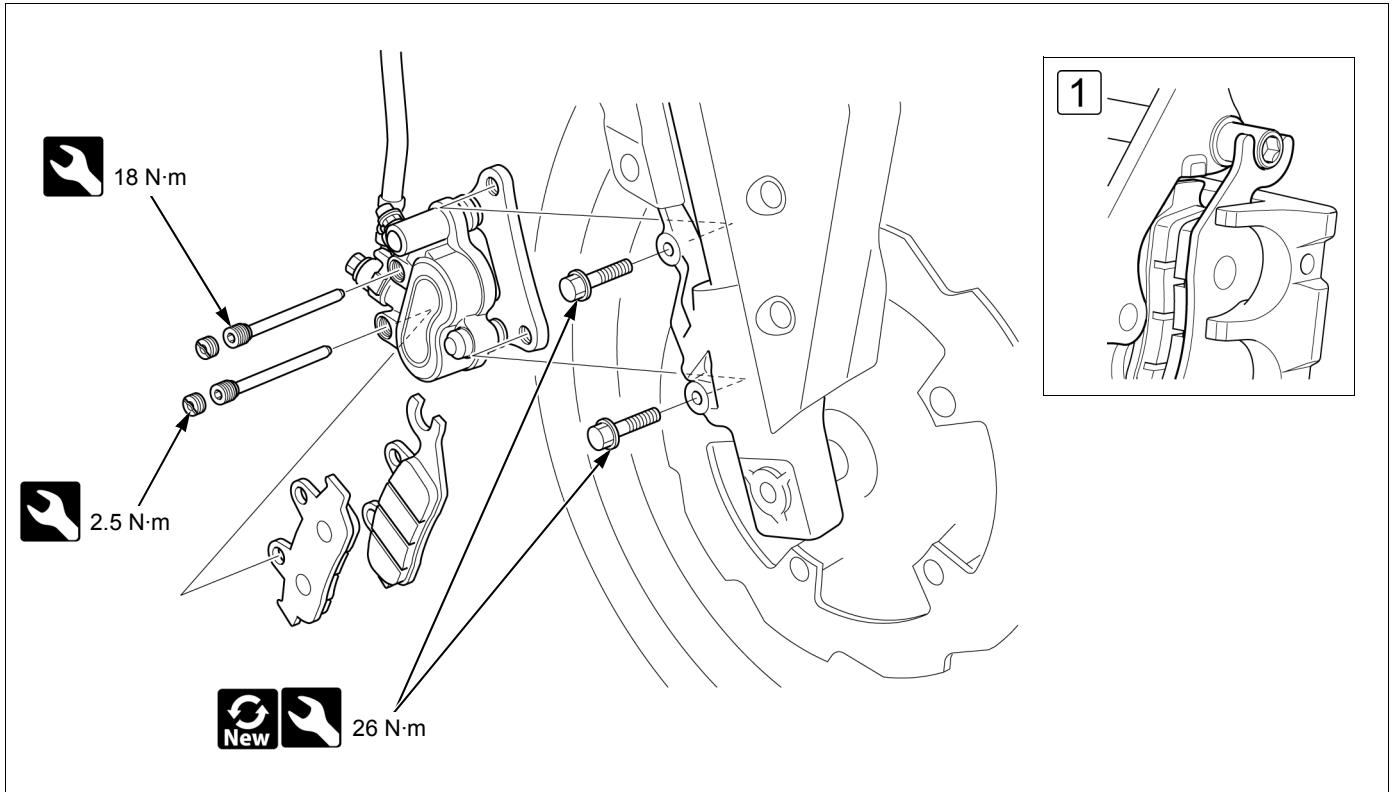




BRAKE CALIPER

BRAKE PAD REPLACEMENT



- 1 Install brake pads so that they are set on the brake caliper bracket and bracket pin.

