

## ALTERNATOR/STARTER CLUTCH

Hold the flywheel using the flywheel holder, then tighten the bolt to the specified torque.

**TOOL:**

**Flywheel holder** 07725-0040000  
(Equivalent commercially available)

**TORQUE:** 103 N·m (10.5 kgf·m , 76 lbf·ft)

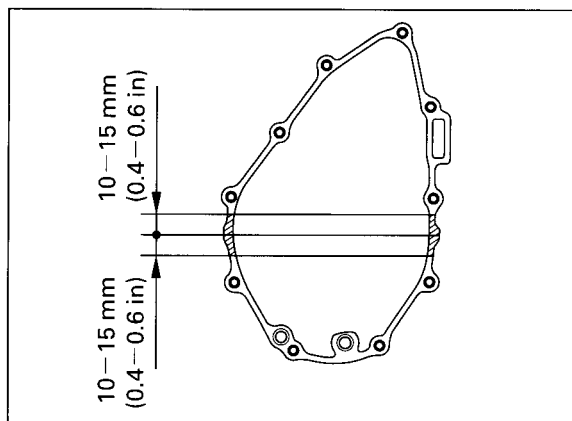


Apply oil to the starter idle gear and gear shaft, and install them.



## ALTERNATOR COVER INSTALLATION

Apply sealant to the mating surface of the crankcase as shown.



Install the dowel pin and new gasket.

