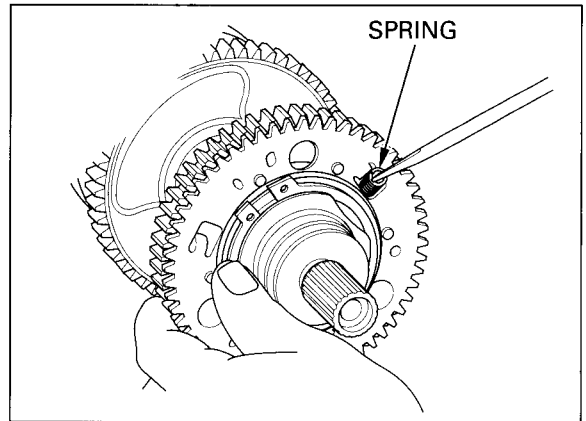


Install the springs into the primary drive gear as shown.

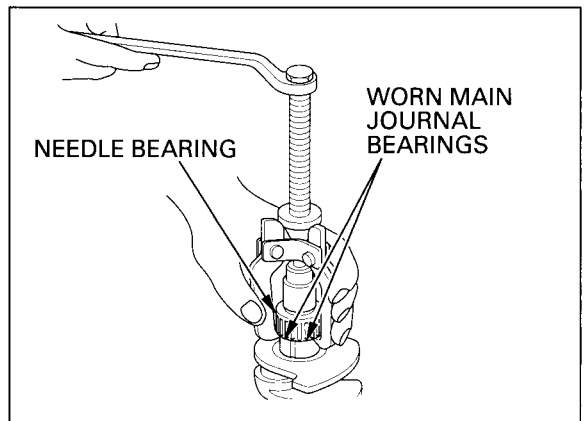


STARTER CLUTCH NEEDLE BEARING REPLACEMENT

Remove the needle bearing with a commercially available universal bearing puller.

CAUTION:

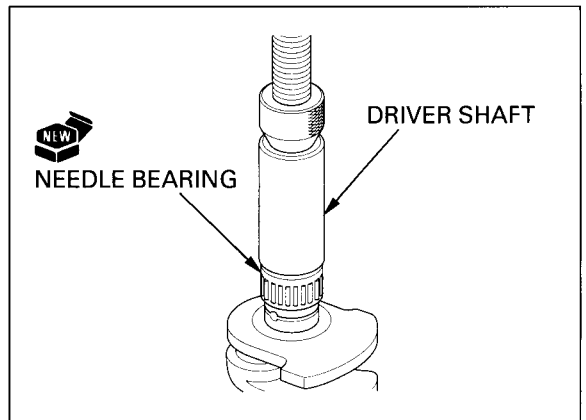
To protect the crankshaft main journal from the bearing puller claws, cover the main journal properly; worn main journal bearings are usable as protectors.



Press a new needle bearing onto the crankshaft using a hydraulic press and special tool.

TOOL:

Driver shaft 07964-MB00200



If the special tool is not available, prepare a suitable collar, washer and 8 mm flange bolt for the bearing installation. Assemble the above items, and screw the bolt gradually, then install the new needle bearing.

