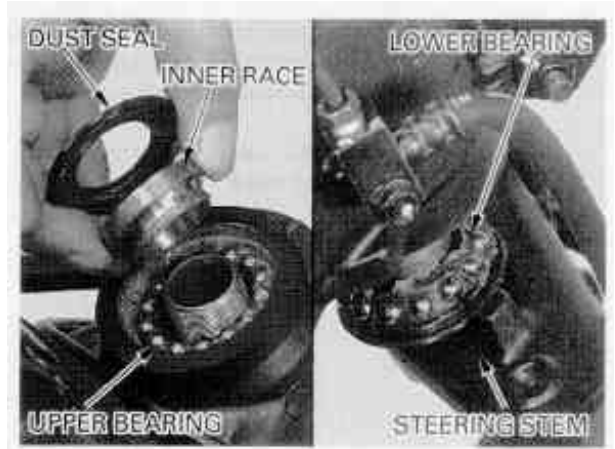


Remove the following:

- Dust seal
- Upper bearing inner race
- Upper bearing
- Steering stem
- Lower bearing



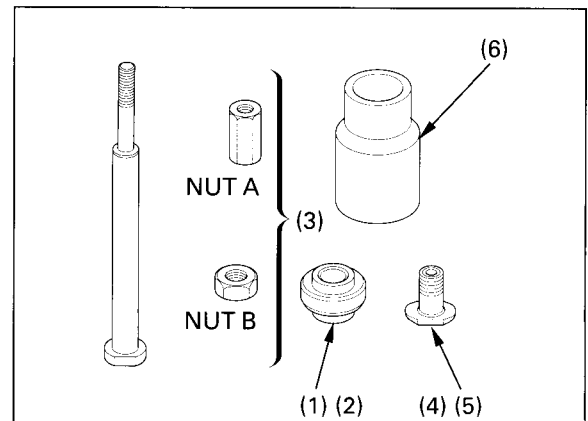
## BEARING REPLACEMENT

*Always replace the bearings and races as a set.*

Replace the races using the Ball Race Remover Set as described in the following procedure.

### TOOLS:

<b>Ball race remover set</b>	07946-KM90001
- Driver attachment, A (1)	07946-KM90100
- Driver attachment, B (2)	07946-KM90200
- Driver shaft assembly (3)	07946-KM90300
- Bearing remover, A (4)	07946-KM90401
- Bearing remover, B (5)	07946-KM90500
- Assembly base (6)	07946-KM90600



Install the ball race remover into the head pipe as shown.

Align bearing remover A with the groove in the steering head.

Lightly tighten nut B with a wrench.

Holding the driver shaft with a wrench, turn nut A gradually to remove the upper outer race.

*Note the installation direction of the assembly base.*

