

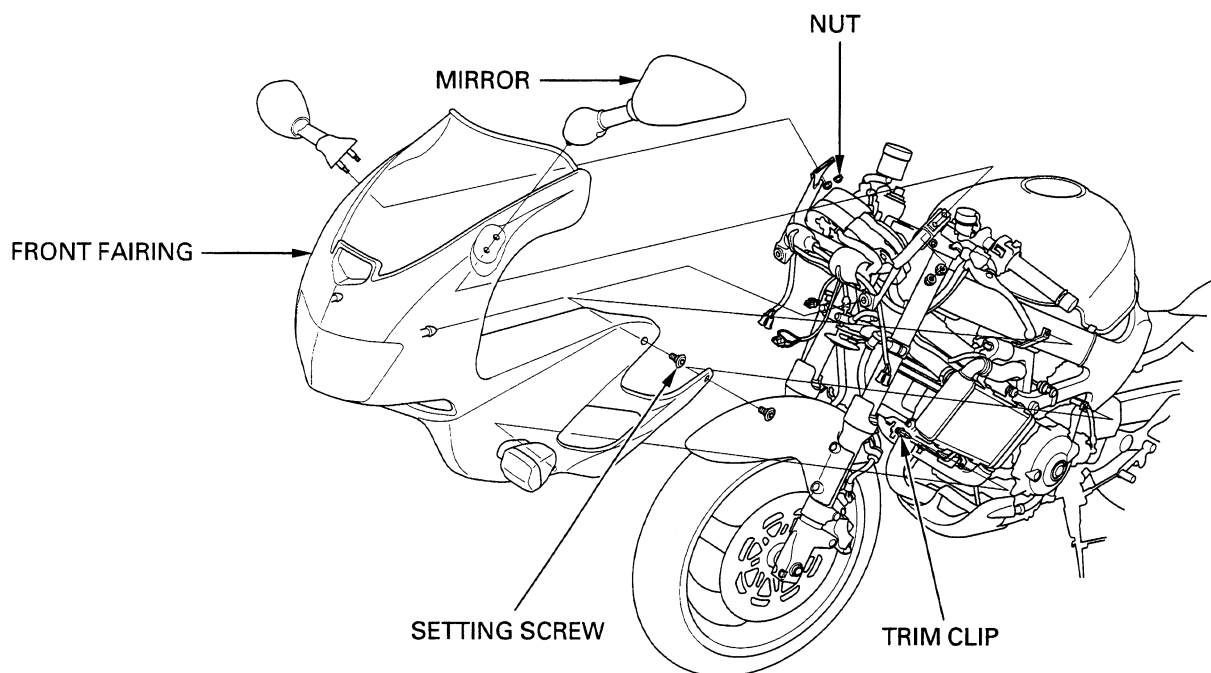
FRONT FAIRING

REMOVAL

Disconnect the front turn signal connectors.
 Remove the two trim clips.
 Remove the nuts and rear view mirrors.
 Remove the four setting bolts.
 Slide the front fairing forward, and disconnect the headlight connector and the position light connector (except U type).
 Remove the front fairing.

INSTALLATION

Install the front fairing, and connect the headlight and position light connectors.
 Insert the bosses of the front fairing into the grommets in the stay.
 Install the removed parts in the reverse order of removal.



DYNAMIC DAMPER REPLACEMENT

Remove the cap from the fairing stay end.
 Push the clip tabs in and remove the damper weight and rubbers from the fairing stay.

Install a new dynamic damper and the cap into the fairing stay.

