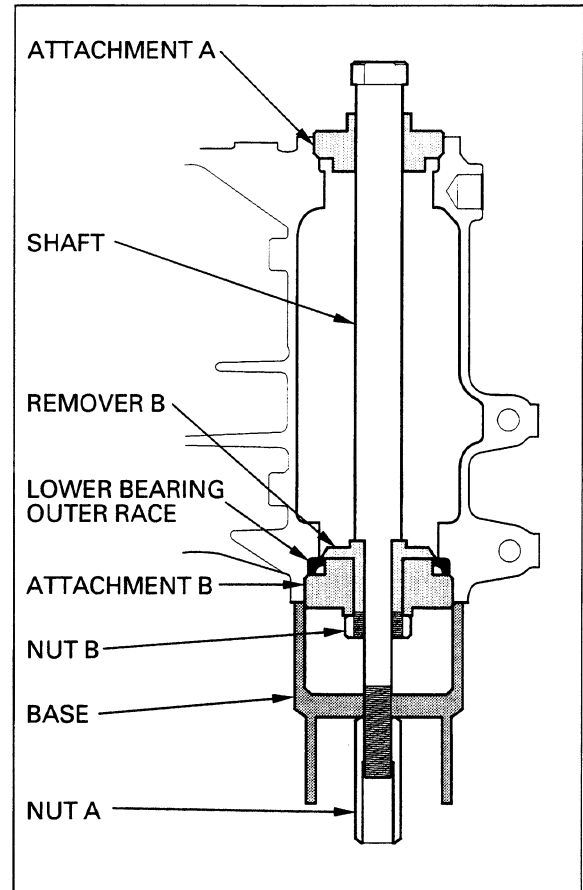


FRONT WHEEL/SUSPENSION/STEERING

Note the installation direction of the assembly base.

Install the ball race remover into the steering head pipe as shown.
Align bearing remover B with the groove in the steering head.
Lightly tighten nut B.
While holding the driver shaft, turn nut A gradually to remove the lower bearing outer race.



Install a new upper bearing outer race and the ball race remover as shown.
While holding the driver shaft, turn nut A gradually until the groove in driver attachment A aligns with the upper end of the steering head. This will allow you to install the upper bearing outer race.

