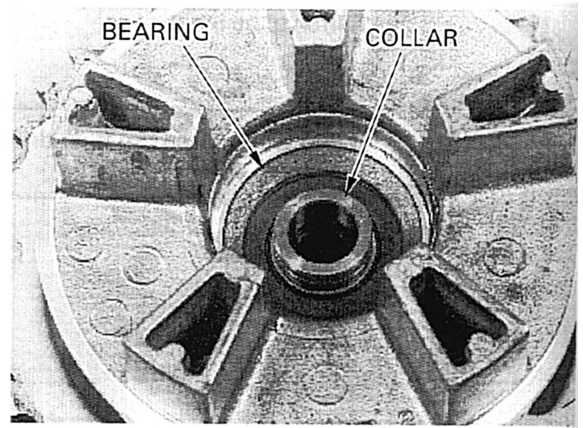


REAR WHEEL/SUSPENSION

Remove the driven flange collar.

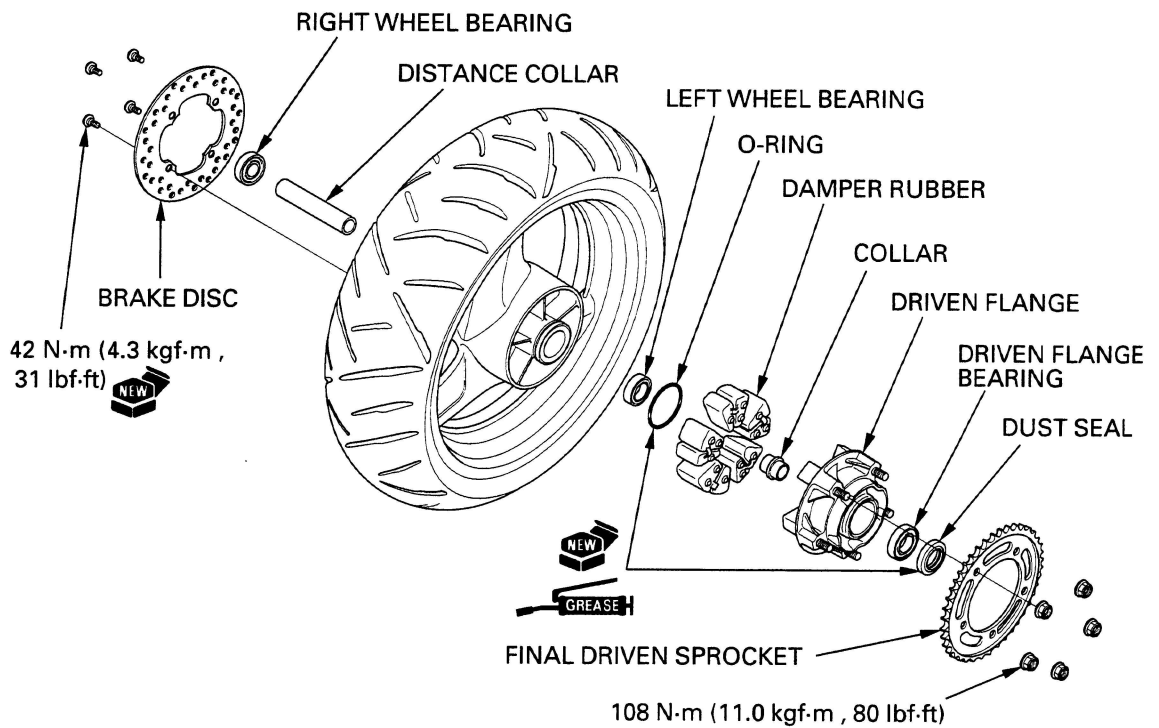
Remove the driven flange bearing.



ASSEMBLY

NOTE:

Refer to page 13-10 for wheel balance.



Drive in a new driven flange bearing squarely with the marking side facing up until it is fully seated, using the special tools.

TOOLS:

Driver	07749-0010000
Attachment, 52 × 55 mm	07746-0010400
Pilot, 22 mm	07746-0041000

